

# TOROIDAL OUTPUT TRANSFORMER

## Type ECL86PP Push-Pull

### ECL86PP-UL Push Pull Output Transformer

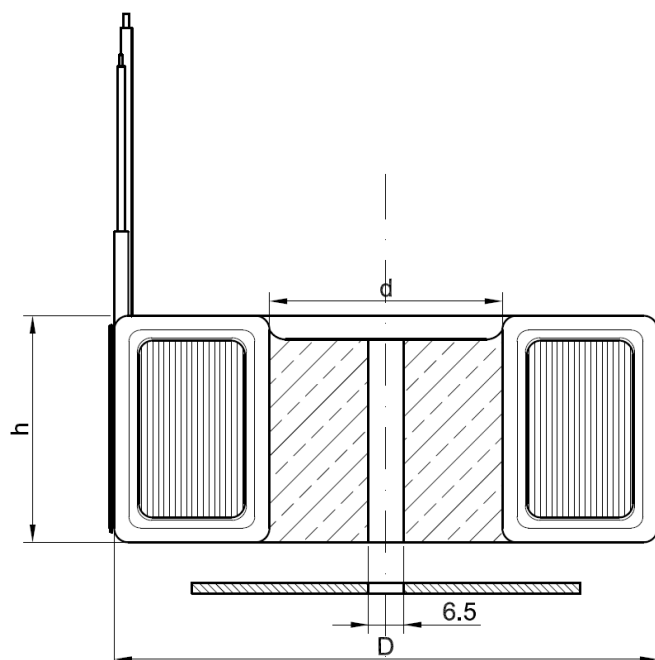
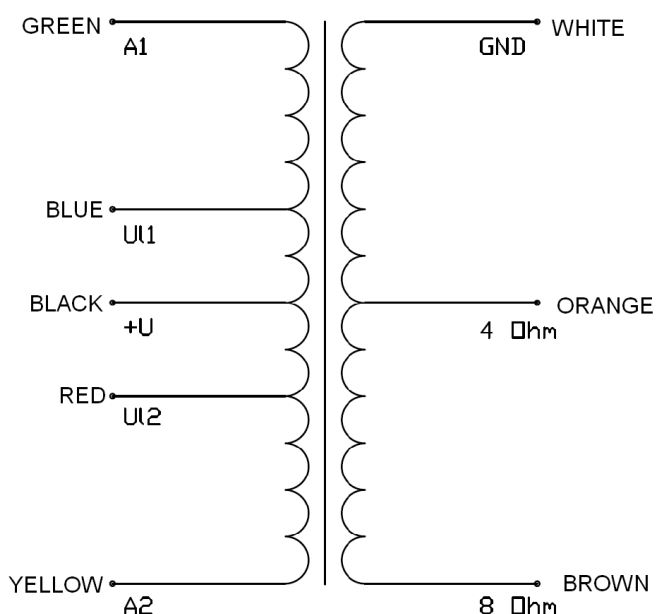
Toroidal Push-Pull output transformer for tubes 2xECL86, 2xPCL86 introduces benefits of toroidal cores to tube output. Through the use of innovative, internationally patented winding technology, we have achieved exceptional electrical parameters, such as flat frequency bandwidth in acoustic range, very low THD distortion and high quality factor.

#### Technical Data:

Nominal power:	25W
Nominal anode current:	150mA
Frequency bandwidth (-3dB):	10Hz – 43kHz
Secondary inductance:	4 / 8 $\Omega$
Primary Impedance:	10 k $\Omega$
Turns Ratio (Np:Ns):	50,00:1 (4 $\Omega$ ) , 35,36:1 (8 $\Omega$ )
Primary Inductance Lp:	277H
Primary Leakage Inductance Lsp:	8,06mH
Total Primary DC Resistance:	170 $\Omega$

Core type:	Toroidal
Intended for:	Push-Pull, 43% UL

#### Wiring diagram:



#### DIMENSIONS:

Outer diameter (D):	90mm
Inner diameter (d):	35mm
Height (h):	55mm
Weight:	1,7 kg
Leads length:	250mm

[www.röhrenhaus.de](http://www.röhrenhaus.de)